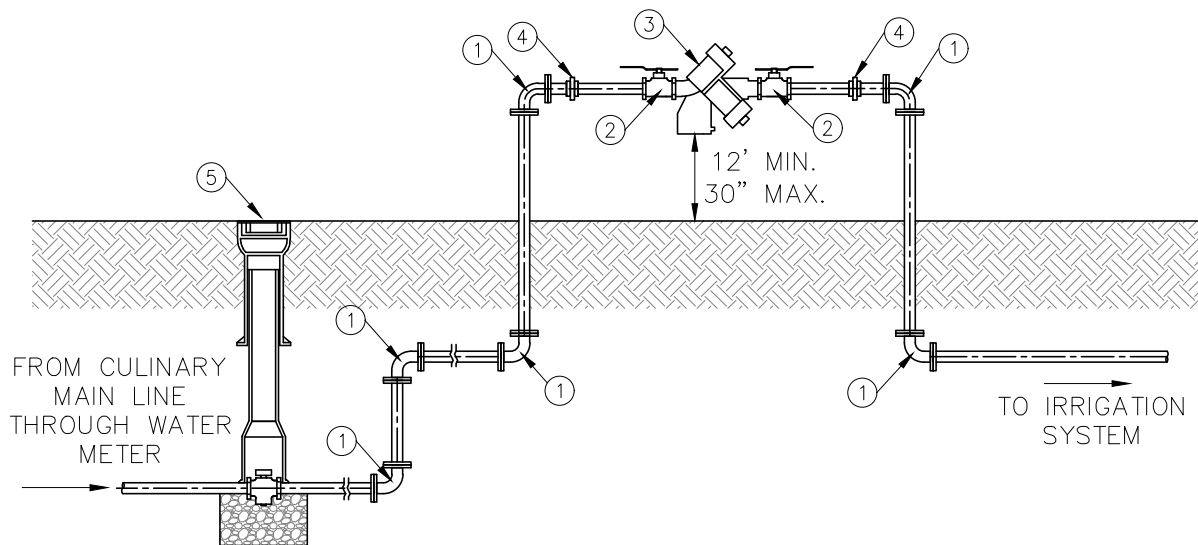


PARTS LIST / DESCRIPTION

- ① SCH 80 GALV STEEL 90° BEND (THD x THD)
- ② THREADED FULL PORT BRASS BALL VALVE
- ③ CERTIFIED REDUCED PRESSURE ZONE BACKFLOW ASSEMBLY
- ④ SCH 80 GALV STEEL UNION
- ⑤ STOP AND WASTE VALVE



NOTES:

1. BACKFLOW ASSEMBLY SHALL BE TESTED WITHIN 10 DAYS AFTER INSTALLATION AND ANNUALLY EVERY YEAR AFTER. RESULTS SHALL BE SUBMITTED TO THE DISTRICT FOR APPROVAL.
2. BACKFLOW PREVENTER TO BE INSTALLED WITH A MINIMUM OF 12" CLEARANCE AROUND ASSEMBLY FOR MAINTENANCE AND REPAIRS
3. AVOID INSTALLING IN AREA PRONE TO FLOODING OR STANDING WATER.



DRAWN BY: IJ
 CHECKED BY: SJ
 REV. DATE: MAR. 2026

TYP. 3/4" TO 1-1/2" REDUCED PRESSURE
 BACKFLOW PREVENTER INSTALLATION

DWG.
 100.01